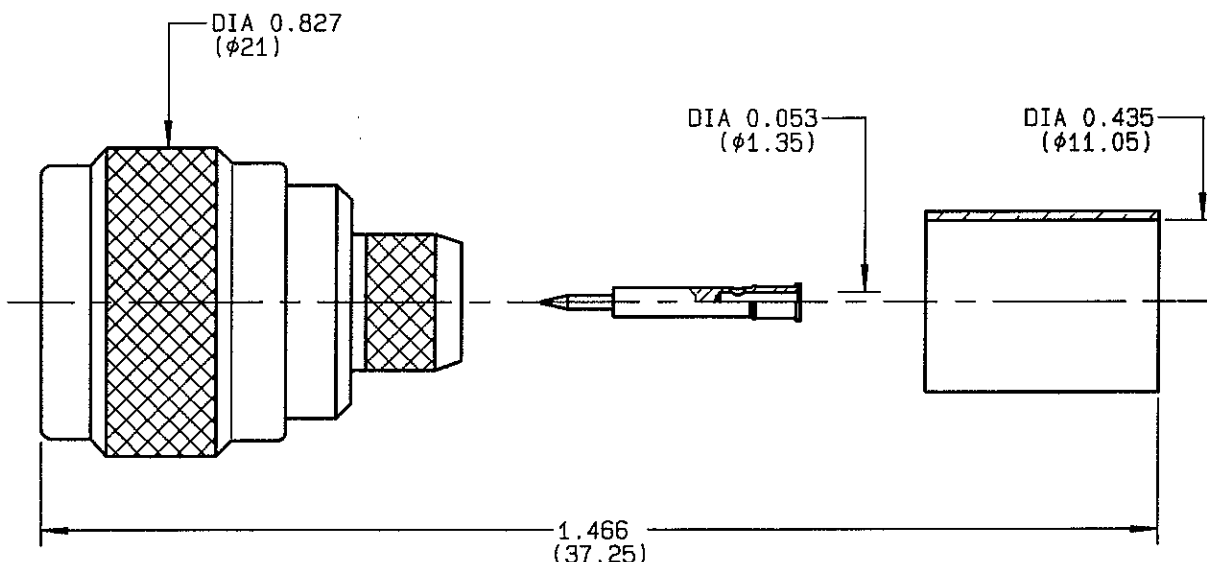


**STRAIGHT PLUG FULL CRIMP-TYPE
CABLE 10/75 S**

R162.075.000

SERIES

N 75



NOMINAL IMPEDANCE	75 Ω
FREQUENCY RANGE	0-1.5 GHz
TEMPERATURE RATING	-55/+155 °C
V.S.W.R	1.06 + x F(GHz)Maxi
RF INSERTION LOSS	0.15 √F(GHz) dB Maxi
VOLTAGE RATING	1400 Veff Maxi
DIELECTRIC WITHSTANDING VOLTAGE	2500 Veff Mini
INSULATION RESISTANCE	5000 M ΩMini
HERMETIC SEAL	NA Atm.cm ³ /s
LEAKAGE (pressurized only)	NA
MECHANICAL DURABILITY	500 Cycles
WEIGHT	30.9 gr
SPECIFICATION	

CABLES : **KX 8**
RG 11
RG 144

OTHERS CHARACTERISTICS

CABLE RETENTION	300 N Mini
CENTER CONTACT RETENTION	
Axial force - mating end	27 N Mini
Axial force - opposite end	27 N Mini
Torque	NA cm.N Mini
RECOMMENDED TORQUES	
Mating	130 cm.N
Panel nut	NA cm.N
Clamp nut	NA cm.N

CONNECTOR PARTS	MATERIALS	FINISH	(all values are given) in micrometers
BODY	BRASS	BBR 2	
OUTER CONTACT	BRASS	BBR 2	
CENTER CONTACT	BRASS	GOLD 0.5 OVER NICKEL 2	
INSULATOR	PTFE	-	
GASKET	SILICONE RUBBER	-	
OTHERS PIECES	BRASS	BBR 2	

ISSUE

CREATION DATE

FILE PART-NUMBER

9813C01

20-OCT-94

EPC 96-07



RADIALL®

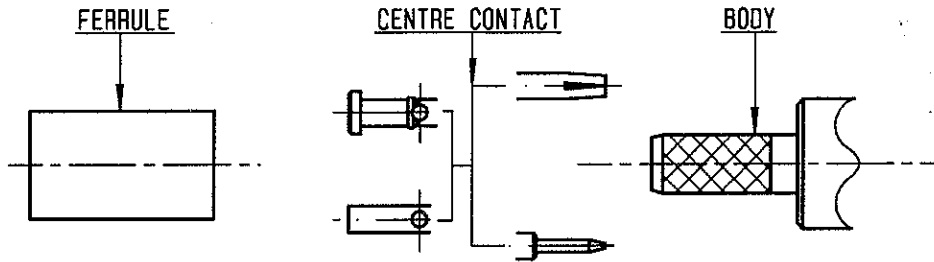
The information given here is subject to change without notice.
Design changes may be in order to improve the product.

Connect to the future



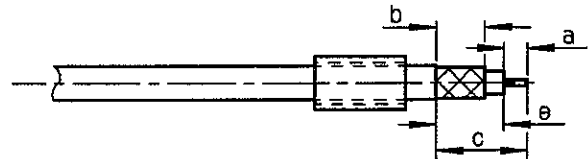
R162.075.000

ISSUE 9813C01 SERIES N 75



①

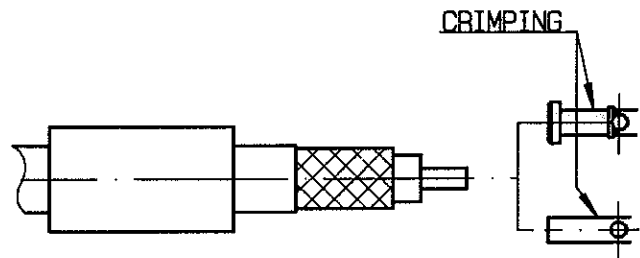
Slide onto the cable the ferrule
Strip the cable .



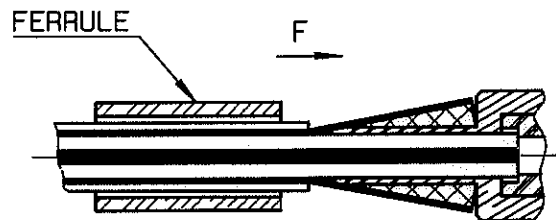
Stripping	a	b	c	d	e
inch	0.197	0.315	0.551	0	0.354
mm	5	8	14		9

②

Slide on centre contact until it bottoms against cable dielectrique .
Crimp centre contact .
Crimping tool : R282 223 000 (Hex. : 0.068)
or R282 293 000 (M22520/5-01)
+ dies R282 235 011 (M22520/5-11) .

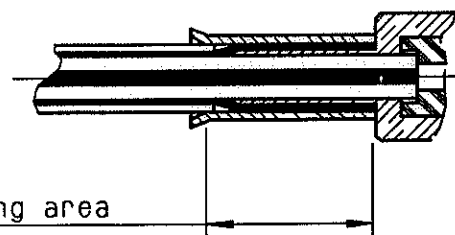


Fan the braid .
Slide cable into the body until bottoms against insulator .
Slide ferrule over the braid .
(In direction F)



④

Crimp the ferrule with crimping tool R 282 231 000 (Hex. : 0.415) or crimping tool R282 293 000 (M22520/5-01)
+ dies R282 235 116 (Y 116 DANIELS)
Cut the excess of braid .



Crimping area